

SPECIAL FEATURES

- NOMINAL PRESSURE UP TO 400 bar
- 7 DIFFERENT SELECTABLE SETTING RANGES
- OVER PRESSURE UP TO 600 bar
- BELLOW TYPE & PISTON TYPE MODELS

APPLICATIONS

DESIGNED TO PROTECT PRESSURE INSTRUMENTS FROM OVER PRESSURE EXCEEDING THE SPECIFIED PRESSURE RANGE BY SUDDEN & EXCESSIVE PRESSURE FLUCTUATION FROM SURGE OR SPIKE.

THIS DEVICE BLOCKS THE HIGHER PRESSURE EXCEEDING THE ALLOWED VALUE, UNTIL IT COMES BACK TO NORMAL, WHEN SYSTEM PRESSURE BECOMES NORMAL.

HENCE THIS DEVICE SAFEGUARDS THE PRESSURE INSTRUMENTS, GAUGES, SWITCHES OR TRANSMITTERS BY BLOCKING EXTRA HIGH PRESSURE.

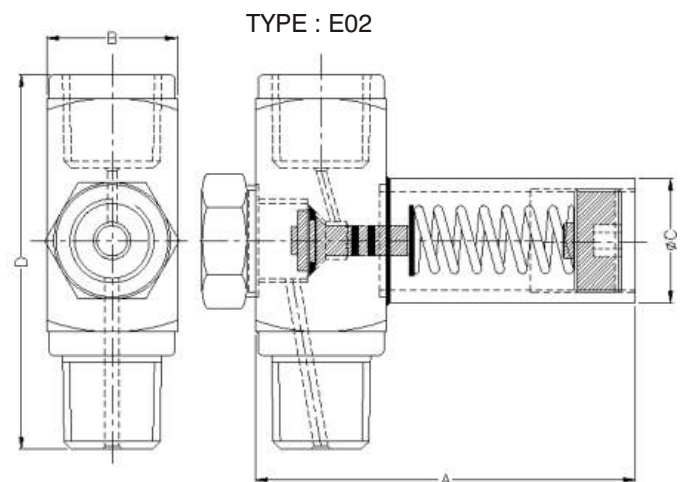
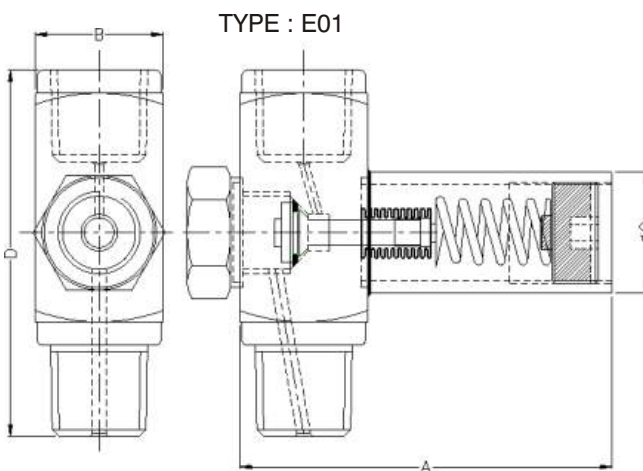
WIDELY USED IN MECHANICAL ENGINEERING AND PLANT CONSTRUCTION, POWER STATIONS, MINING, ENVIRONMENTAL TECHNOLOGY, CHEMICAL AND PETROCHEMICAL, ON SHORE & OFF SHORE.



STANDARD VERSION

Overload protector type	:	E01: Bellow type
	:	E02: Piston type
Adjustable range	:	E01: 200 mbar to 4 bar
	:	E02: 6 bar to 400 bar
'O' Ring	:	Viton
Maximum working pressure	:	600 bar
Operating temperature	:	-40°C to 120°C
Material of construction	:	AISI 316 SS

DIMENSIONS - STANDARD VERSION



A	B	OC	D	Weight in gram (With Box)
73	28 Sq.	24	75 ±2	470.0

A	B	OC	D	Weight in gram (With Box)
73	28 Sq.	24	75 ±2	460.0

Notes : • Drawings are not to scale. • All Dimensions are in mm.

HOW TO ORDER**BASIC MODEL****CODE**

Example

05-04**ADJUSTABLE RANGE****RANGE TABLE**

TYPE	RANGE
E01	200 mbar to 1.5 bar
E01	1 to 4 bar
E02	6 to 16 bar
E02	10 to 40 bar
E02	30 to 80 bar
E02	60 to 160 bar
E02	100 to 400 bar

**XXX
OR
XXX/XXX**

Note: Specify required Range or adjustable range while ordering.

Otherwise the protector will be set to first value of adjustable range table.

BODY**CL** AISI 316 SS (Standard)**CN** MONEL**XX****PROCESS CONNECTION**

2BM.2BF	1/4" BSP (M x F)	3NM.3NF	3/8" NPT (M x F)
2NM.2NF	1/4" NPT (M x F)	4BM.4BF	1/2" BSP (M x F) (Standard)
3BM.3BF	3/8" BSP (M x F)	4NM.4NF	1/2" NPT (M x F) (Standard)

XXX.XXX

Note : Connections like Metric/ PT/ PF/ Flaired/ UNF/ G/ R etc can be provided on request.

OPTIONS**GH** MATERIAL TEST CERTIFICATES****SG** OXYGEN SERVICE***TF** TESTED TO NACE STANDARD**XX**

* Applicable for Stainless Steel version.

** MATERIAL TEST CERTIFICATES WILL BE PROVIDED FOR WETTED PARTS ONLY WITH CHEMICAL COMPOSITION TESTING. FOR OTHERS, PLEASE CONSULT FACTORY.

Ordering Example: 05-04 - XXX OR XXX/XXX - XX - XXX.XXX - XX

FOR OTHER OPTIONAL ITEMS, PLEASE CONTACT FACTORY FOR DELIVERY AND MINIMUM QUANTITY OF ORDER.