

SPECIAL FEATURES

- PTFE ADJUSTABLE PACKING INSTALLED BELOW OPERATING THREADS TO PREVENT MEDIA CONTAMINATION OR LUBRICANT WASHOUT OF OPERATING THREADS
- SPINDLE FOR LONGER DURABLE OPERATION
- WITH AIR VENT HOLE (OPTIONAL)

APPLICATIONS

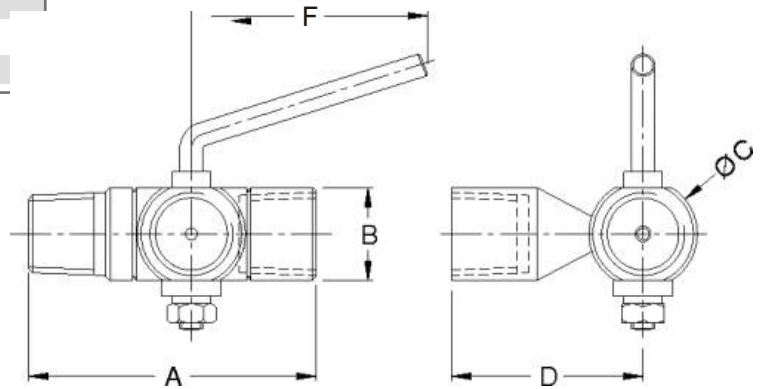
HYDRAULIC MACHINES, COMPRESSORS, PROCESS PLANTS, CLEAN AIR, GASES & NON CRYSTALLIZED LIQUIDS.



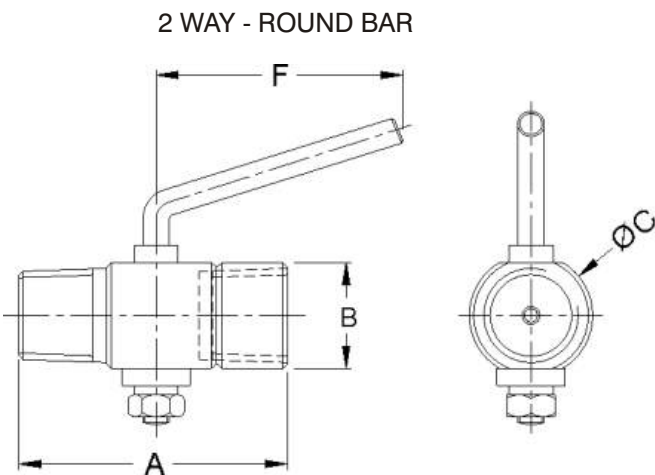
3 WAY - ROUND BAR

Body	: AISI 316 SS
Handle	AISI 316 SS
Working temperature	: Up to 180°C
Gasket seal	: PTFE
Nominal pressure	: 100 kg/cm ²

DIMENSIONS - STANDARD VERSION



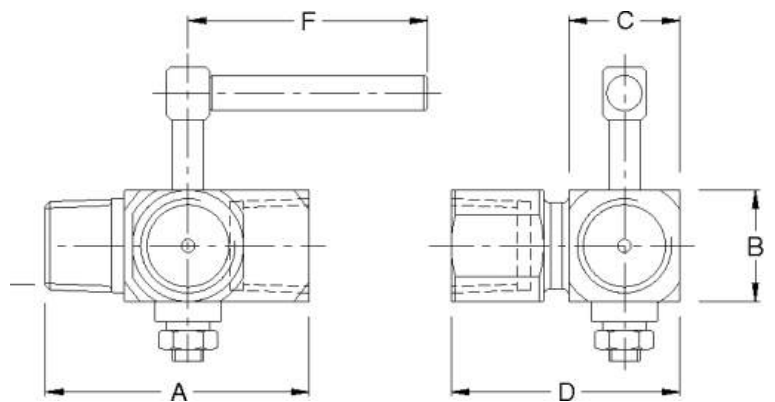
A	B	ØC	D	F	Weight in gram (With Box)
75	24	28	49.5	61	375.0



2 WAY - ROUND BAR

A	B	ØC	F	Weight in gram (With Box)
60	25	28	52.5	235.0

3 WAY - SQUARE BAR



A	B	C	D	F	Weight in gram (With Box)
60	25	28	52	54.5	340.0

Notes : • Drawings are not to scale. • All Dimensions are in mm.

HOW TO ORDER

				Example
BASIC MODEL				
CODE				05-03
TYPE				
KS 2 WAY - ROUND BAR	KU 3 WAY - ROUND BAR			XX
KT 3 WAY - SQUARE BAR				
BODY				
CQ AISI 304 SS	CP BRASS			XX
CL AISI 316 SS (Standard)				
SIZE & END CONNECTION [INLET x OUTLET]				
NF 1/4" (F x F) (Standard)	NI 3/8" (F x F) (Standard)	NL 1/2" (F x F) (Standard)		XX
NG 1/4" (M x F)	NJ 3/8" (M x F)	NM 1/2" (M x F)		
NH 1/4" (M x M)	NK 3/8" (M x M)	NN 1/2" (M x M)		
IN CASE OF 3 WAY GAUGE COCK, ONE CONNECTION WILL BE MALE & ANOTHER TWO WILL BE FEMALE				
EXAMPLE : NM : 1/2" (MxF) MEANS 1/2" (MxFxF)				
THREAD TYPE				
GU BSP				XX
GV NPT				
OPTIONAL EXTRAS				
FOR OTHER OPTIONAL ITEMS, PLEASE CONTACT FACTORY FOR DELIVERY AND MINIMUM QUANTITY OF ORDER.				XX
GH MATERIAL TEST CERTIFICATE				
GI VENT HOLE				

* MATERIAL TEST CERTIFICATES WILL BE PROVIDED FOR WETTED PARTS ONLY WITH CHEMICAL COMPOSITION TESTING. FOR OTHERS, PLEASE CONSULT FACTORY.

Ordering Example: 05-03 - XX - XX - XX - XX - XX