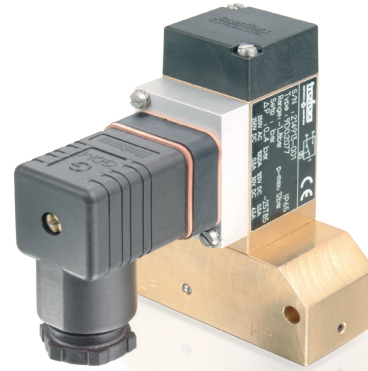


DIFFERENTIAL PRESSURE PICOSTAT

Swiss based Trafag is a leading international supplier of high quality sensors and monitoring instruments for measurement of pressure and temperature.



Applications

- Shipbuilding
- Engine manufacturing
- Machine tools
- Hydraulics

Features

- Compact design
- Rugged housing
- High repeatability
- Protection IP65 (with plug connector)
- Any mounting position possible

05/2016

Data sheet H72273e

Technical Data			
Measuring principle	Bellow	Repeatability	± 1.0 % FS typ.
Measuring range	-1 ... 6 and -1 ... 8 bar	Media temperature	-25°C ... +120°C
Differential pressure	0 ... 4 and 0 ... 6 bar	Ambient temperature	-25°C ... +85°C
Output signal	1 Floating change-over contact (SPDT)	Approval	GL EN60730-1/ EN60730-2-6: Typ 2.B.H
Switching differential	Not adjustable		

Subject to change

Ordering information/type code

					9D0	XX	XX	XXX	XX	XX
Microswitch	Big switching differential ¹⁾					20				
	Small switching differential ¹⁾					28				
	Switch with gold plated contacts ¹⁾					83				
Range	Range [bar]	Differential pressure [bar]	Over pressure [bar]	Burst pressure [bar]						
	-1 ... 6	0 ... 4	8	11.5		76				
	-1 ... 8	0 ... 6	12	26		77				
Sensor	Sensor material	Sensor housing material		Range						
	Bronze (CuZn6)	Brass (CuZn39Pb3)		76		770				
	Bronze (CuZn6)	Brass (CuZn39Pb3)		77		771				
Pressure connection	G1/4" female									04
Accessories	Flange with O-Ring									11
	Covering									15
	Lead seal (manipulation protection)									16
	Female electrical connector DIN43650-A									58
	Welsh plug G1/8"									57
	Welsh plug G1/4"									74
	Fixing set									V3
	Damping elements and snubber see data sheet H72258									

¹⁾ Switching differential not adjustable

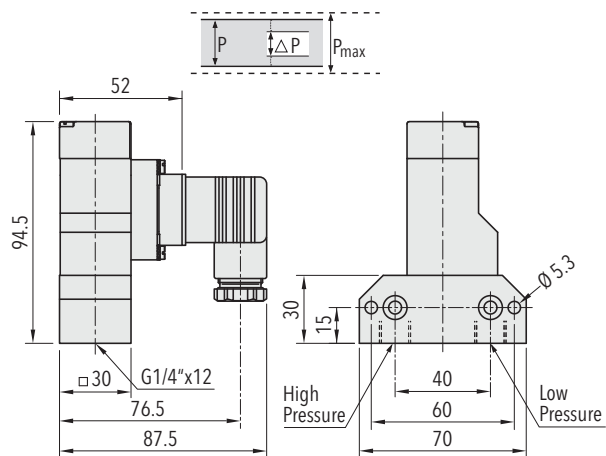
Standard products (extra short lead time)

Product No.	Type Code	Pressure range [bar]	Differential pressure [bar]	Over pressure max. [bar]	Switching differential [bar]
PSTD4	9D0 2076 770 04 0000 0000 15 58 V3	-1 ... 6	0 ... 4	8	0.2 (fixed)
PSTD6	9D0 2077 771 04 0000 0000 15 58 V3	-1 ... 8	0 ... 6	12	0.3 (fixed)

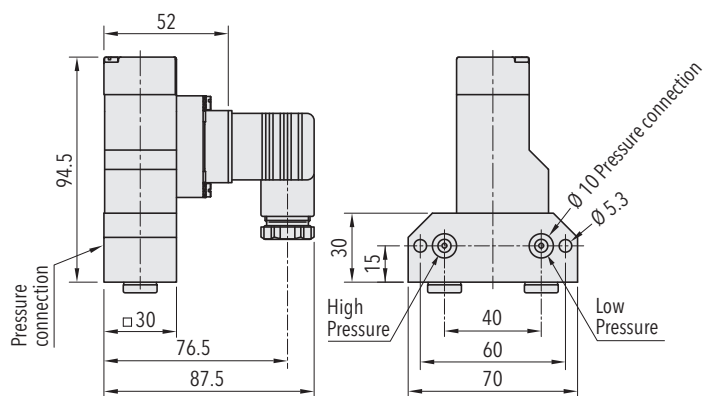
Specifications		
Accuracy	Repeatability	± 1.0 % FS typ.
	Switching differential	See table
	Adjustment range switchpoint ¹⁾	10% ... 90% FS
Environmental conditions	Ambient temperature	-25°C ... +85°C
	Media temperature	-25°C ... +120°C
	Storage temperature	-40°C ... +85°C
	Protection	IP65
	Humidity	Max. 95 % relative
	Vibration	5...25 Hz: ±1.6 mm 25...100 Hz: 4g
	Shock	50g/ 11ms
Mechanical Data	Sensor	Bronze (CuSn8)
	Housing	Brass CuZn39Pb3
	Sealing	-
	Male electrical plug	Polyamide PA
	Mounting torque	Max. 25 Nm
	Installation	any position
	Weight	~ 800 g
Microswitch	Rating	See table
	Resistance of insulation	> 2 MΩ
	Dielectric strength	1.45 kV terminal ground
	Life time (mechanical)	Microswitch 20: 1 Mio. cycles Microswitch 28/83: 10 Mio. cycles
Electrical connection	Electrical connections	EN175301-803-A (DIN43650-A)
	Female electrical connector	Cable-Ø: 6...13 mm Terminal screw: 4 x 0.5...1.5 mm ²

¹⁾ Other adjustment ranges upon request

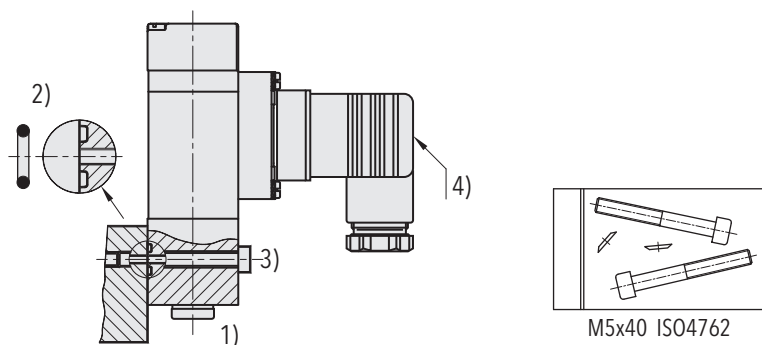
Dimensions



9D0.XX7X.77X.04.58.V3



9D0.XX7X.77X.04.11.58.74.V3



9D0.XXXX.XXX.XX.11

9D0.XXXX.XXX.XX.V3

- 1) Torque: G 1/8": $M_A = 16 \dots 20 \text{ Nm}$
G 1/4": $M_A = 32 \dots 40 \text{ Nm}$
- 2) O-Ring: $\phi 6.75 \times 1.78 \text{ NBR 70 Sh}$
- 3) Fixing screw: M5; property class: 8.8; torque: $4.5 \dots 6 \text{ Nm}$
- 4) Torque connector center screw: max. 0.4 Nm

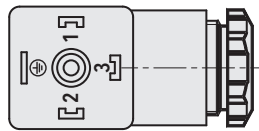
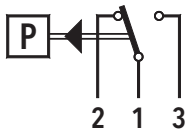
Switching differential typ. @ 25°C

Measuring range of bellows sensor	[bar]	-1 ... 6	-1 ... 8
Microswitch 20 Switching differential (not adjustable)	[bar]	0.2	0.3
Microswitch 28/83 Switching differential (not adjustable)	[bar]	0.15	0.2

Electrical data switch

Type	Features	Rating	
		Resistive Load (Inductive Load)	
		AC	DC
20	Big switching differential	250 V, 10 (3) A	250 V, 0.1 (0.05) A 220 V, 0.25 (0.2) A 110 V, 0.5 (0.3) A 24 V, 2 (1) A
28	Small switching differential	250 V, 3 (1) A	250 V, 0.1 (0.05) A 220 V, 0.25 (0.2) A 110 V, 0.5 (0.3) A 24 V, 2 (1) A
83	Gold plated contacts, suitable for intrinsically safe control circuits	max. 30 V, 0.3 (0.2) A min. 5 V, 1 mA	

Electrical Connection



DIN 43650-5

Additional information

Documents	Data sheet	www.trafag.com/H72273
	Instructions	www.trafag.com/H73273
	Flyer	www.trafag.com/H70913