



# Halocarbon Refrigerants Detector-Transmitter E2638-HFC



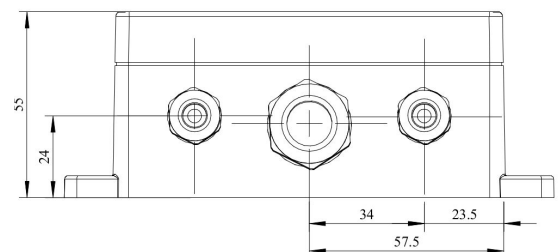
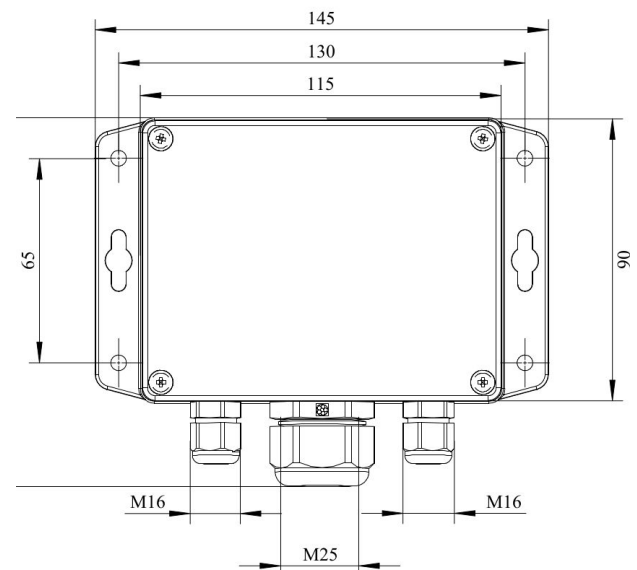
## Features

- Accurate and stable measurement
- Easy to install robust enclosure
- Two analog outputs settable to 4-20 mA or 0-10 V
- RS485 Modbus RTU digital interface
- Relay option
- Attached or remote sensor
- LCD indicator option

## Specifications

Detected gases	R-12, R-123, R-125, R-134a, R-143, R-22, R-404a, R-407c, R-410a etc
Sensor type	Metal-oxide semiconductor Optical (NDIR) on demand
Sampling method	Diffusion
Typical detection range	0...1000 ppm
Resolution	1 ppm
Response time T90	<120 s (MOS sensor)
Sensor lifetime	> 5 years (MOS sensor)
Maintenance interval	12 months (MOS sensor)
Signal update	Every 1 second
Self-diagnostics	Full functionality check at start-up
Warm-up time	≤ 1 min
Power supply	11...30 VDC 24 VAC or 90...265 VAC as options
Power consumption	< 2 VA
Digital interface	RS485, Modbus RTU protocol
Analog outputs	2 × 4-20 mA / 0-10 V, user settable
Output scale width	Recommended: 20-100% of the range; > 10 × resolution in any case
Enclosure	Grey ABS plastic, wall mount, protection class IP65
Dimensions	H90 × W145 × D50 mm (housing only) H140 with cable glands
Operating environment	Industrial indoor and outdoor locations
Operating conditions (MOS)	-30...+60 °C ≤ 95% RH non condensing; 0.9...1,1 atm Explosion-safe areas Normal ambient oxygen level Avoid strong mechanical shock, vibrations or EMI; Avoid exposure to corrosive gases or silicone containing products.

## Dimensions



## Additional options

Remote sensor probe	Protection IP65, shielded cable default cable length 3.0 m
Self-test button	Triggers both relays simultaneously; push-button switch
<b>Relay outputs</b>	
Output relays	2 × SPST relays (closing contact), 250 VAC / 30 VDC, 5 A max
Default alarm set-points	RE1 (LOW): set 100; release 80 ppm RE2 (HIGH): set 500; release 400 ppm

### Alarm signalling

Visual	Red and green LEDs
Acoustic	Buzzer 85 dB

### LCD indicator

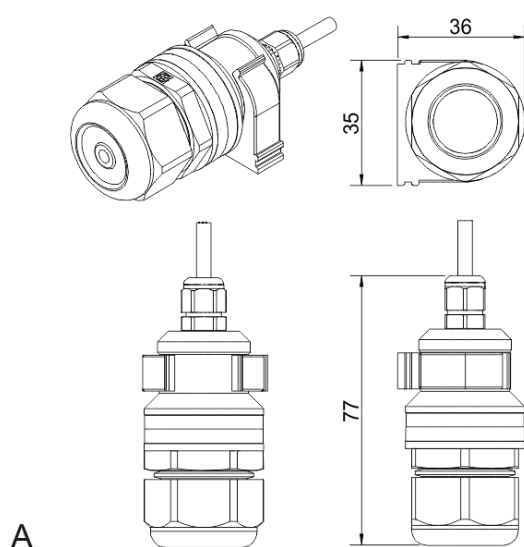
Operating temperature	0...+50 °C
Display dimensions	72 × 36 mm
Number of digits	3.5 7-segment
Character height	14 mm
Other features	Backlight

**NOTE!** Only one analog output is available for a version with LCD.  
**NOTE!** LCD and LEDs can not be chosen simultaneously.

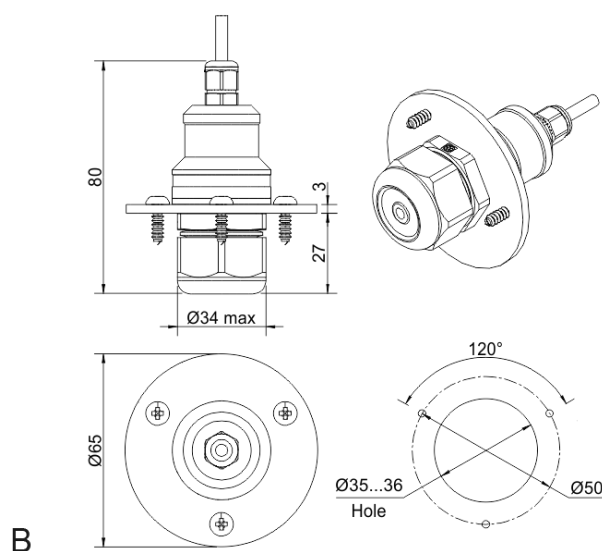
## Version with LCD indicator



## Remote probe



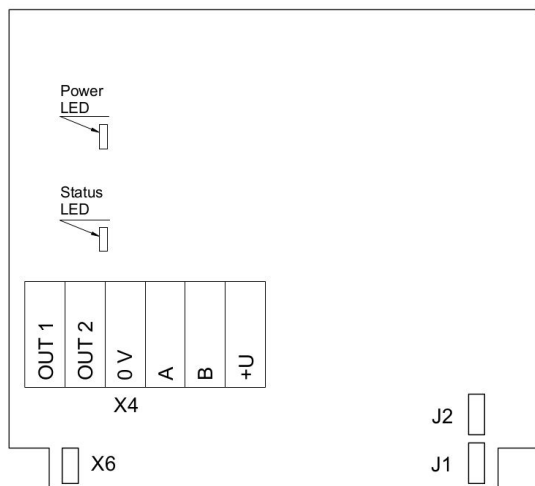
Wall mount remote probe with fixing clamp (default version)



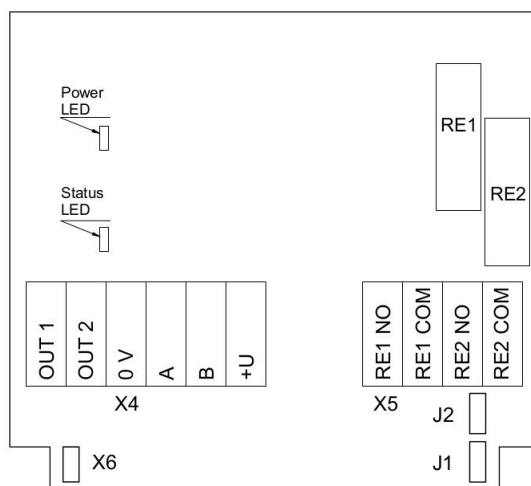
Remote probe with rubber flange and three self-tapping screws (on request)



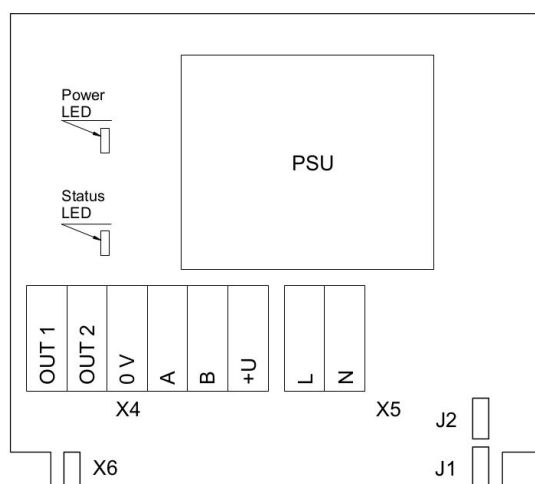
## Connection diagrams



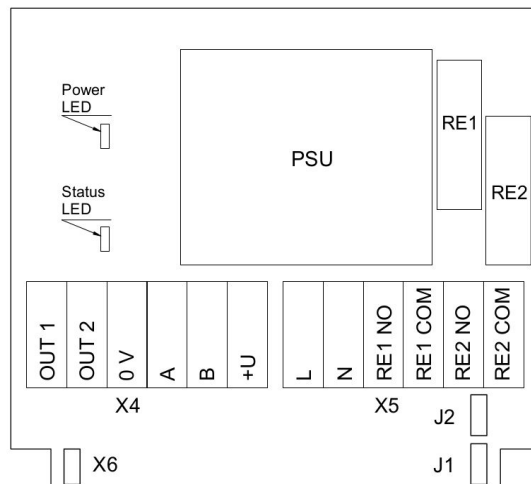
Version without PSU and relays



Version without PSU and with relays



Version with PSU and without relays



Version with PSU and relays

