

Thermal protectors TS-B, TSM, TS-1, TS-4

SPECIFICATIONS

Operating temperature: 55°C ~ 140°C (5°C step);

Tolerance: ±5°C;

Differential: 30±15K (standart);

Breaking capacity:

4A 125V AC 6000 cycle(resistive);

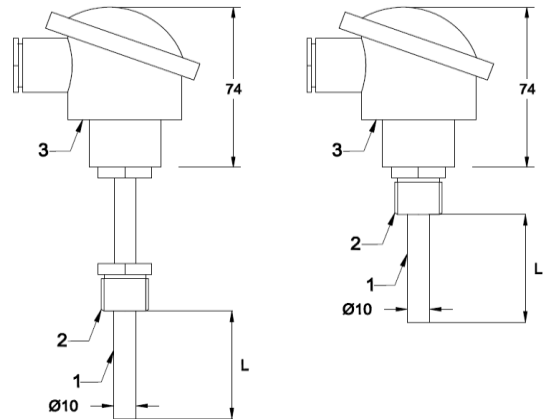
2.5A 250V AC 10000 cycle(resistive);

Electrical connection: 2-wire;

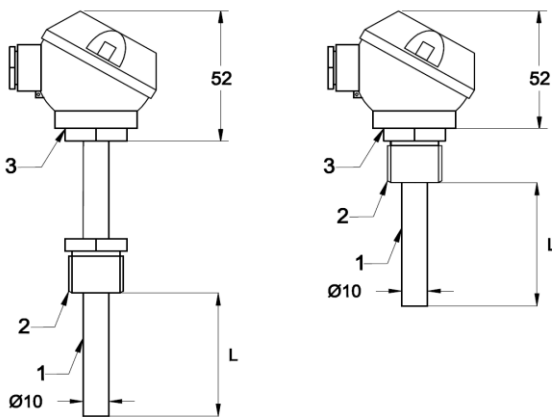
Standart process connection: G1/4", G1/2".

Other connections possible too.

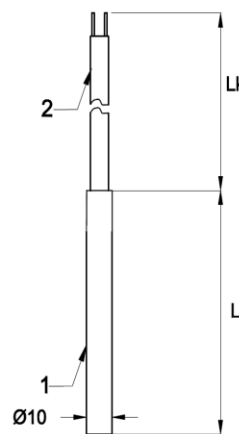
TS-B



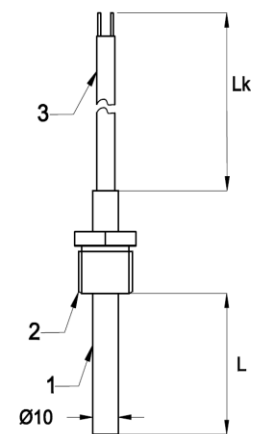
TS-M



TS-1



TS-4



	TS-B	TSM	TS-1 ir TS-4
1 Measuring part (L ≥ 15mm)	Stainless steel*		
2 Process part	Stainless steel		
3 Cable connection head	Aluminium		-
Protection class	IP65		

*DIN 1.4301 (AISI 304)



AUREGIS UAB

Savanorių pr. 271/ Mituvos g. 2, Kaunas LT-50131

Tel./fax.: +370 37 313426

Mob. : (+370) 686 38409, 614 34419, 686 54049,

698 74609, 614 71784

El. paštas: info@auregis.lt www.auregis.lt