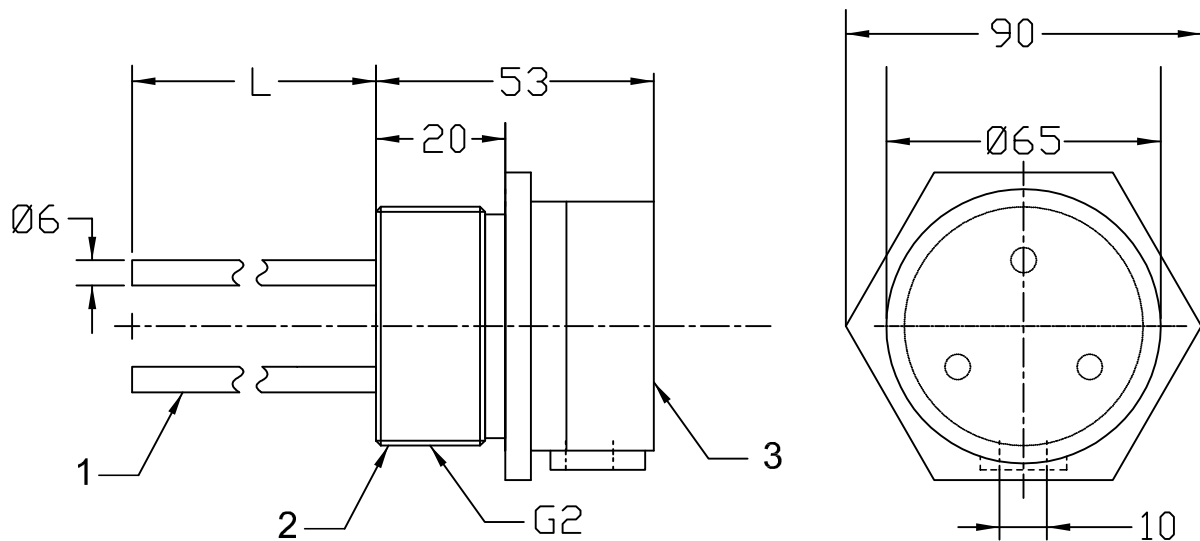


Level electrode

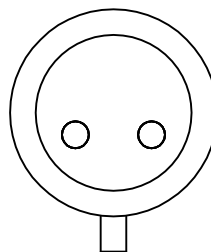
LJ-DSH



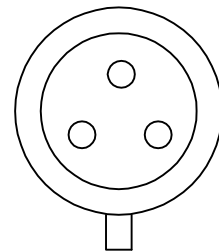
- 1- Electrode (stainless steel, dengtas PVC)
- 2- Housing (thermosetting pitch)
- 3- Cover (PP)

PVC- polyvinylchloride;
PP- polypropylene;
stainless steel - DIN 1.4301(AISI 304);

LJ-DSH-2R



LJ-DSH-3R



Operating ambient temperature:
-20°C...+80°C

L - electrode's length, standard 1000mm
(on re)



AUREGIS, UAB
Mituvos 2, Kaunas LT-50131
Tel./faks. 8 37 31 34 26
Mobilūs: 8 686 38409, 8 614 34419
8 686 54049
info@auregis.lt www.auregis.lt