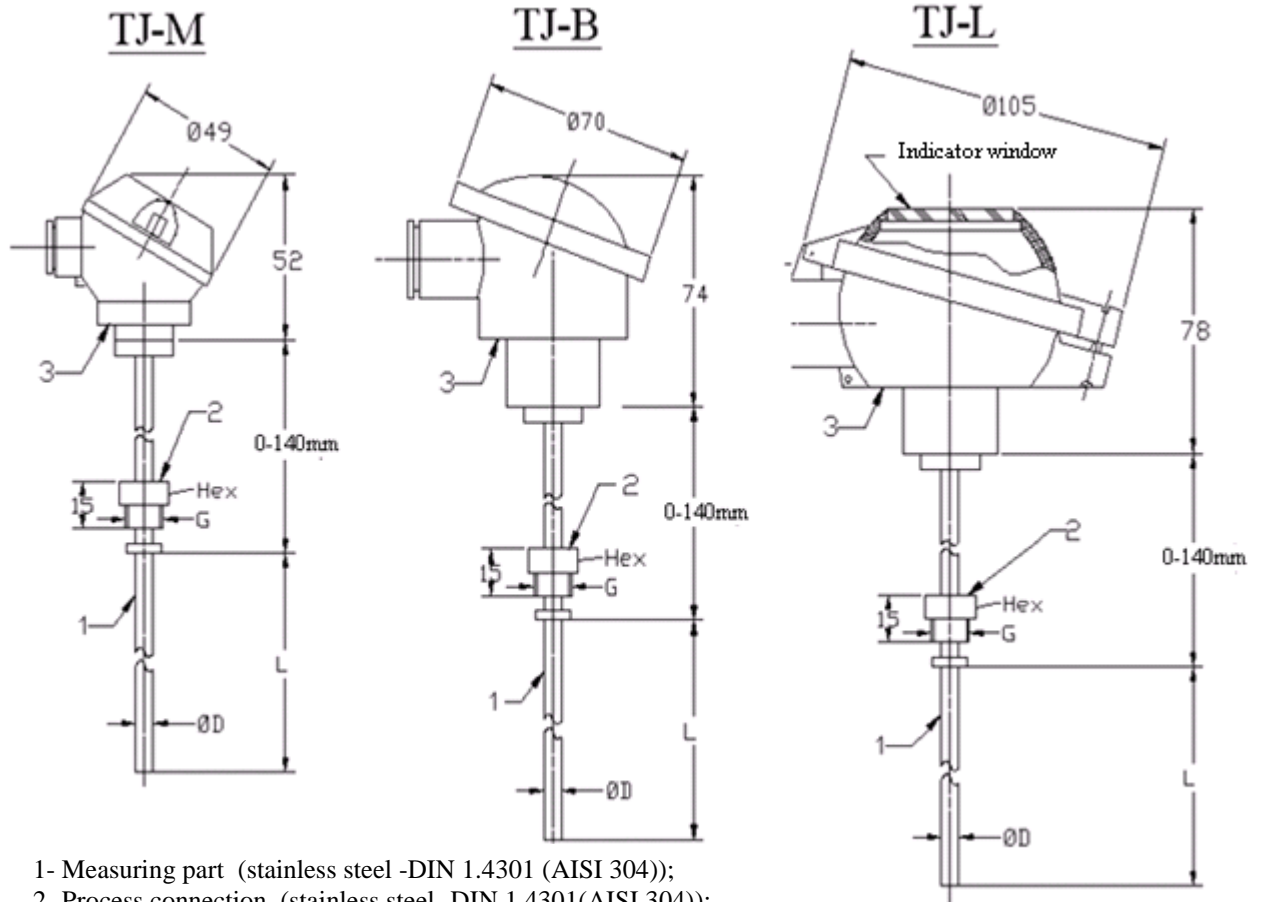
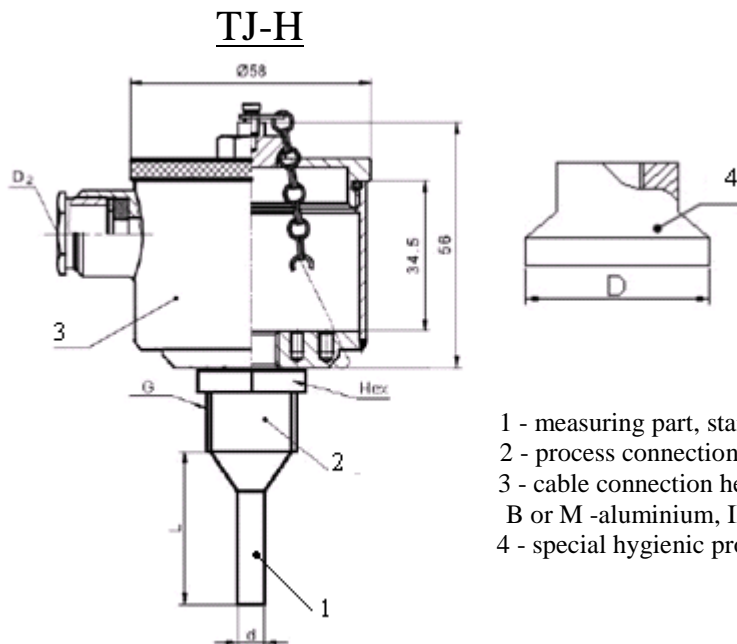


Temperature sensors TJ-M, TJ-B, TJ-L, TJ-H



- 1- Measuring part (stainless steel -DIN 1.4301 (AISI 304));
- 2- Process connection (stainless steel -DIN 1.4301(AISI 304));
- 3- Cable connection head (aluminium)

Sensors - Pt100, Pt1000, Ni100, Ni120, Ni1000, thermocouples K, J
 Signal transducer (temperature / 4...20mA or 0...10V) built-in TJ-B, TJ-L and TJ-H



- 1 - measuring part, stainless steel
- 2 - process connection, stainless steel
- 3 - cable connection head: MBEG - stainless steel, IP65
 B or M -aluminium, IP65, D₂ - cable gland M16x1,5
- 4 - special hygienic process connection, stainless steel

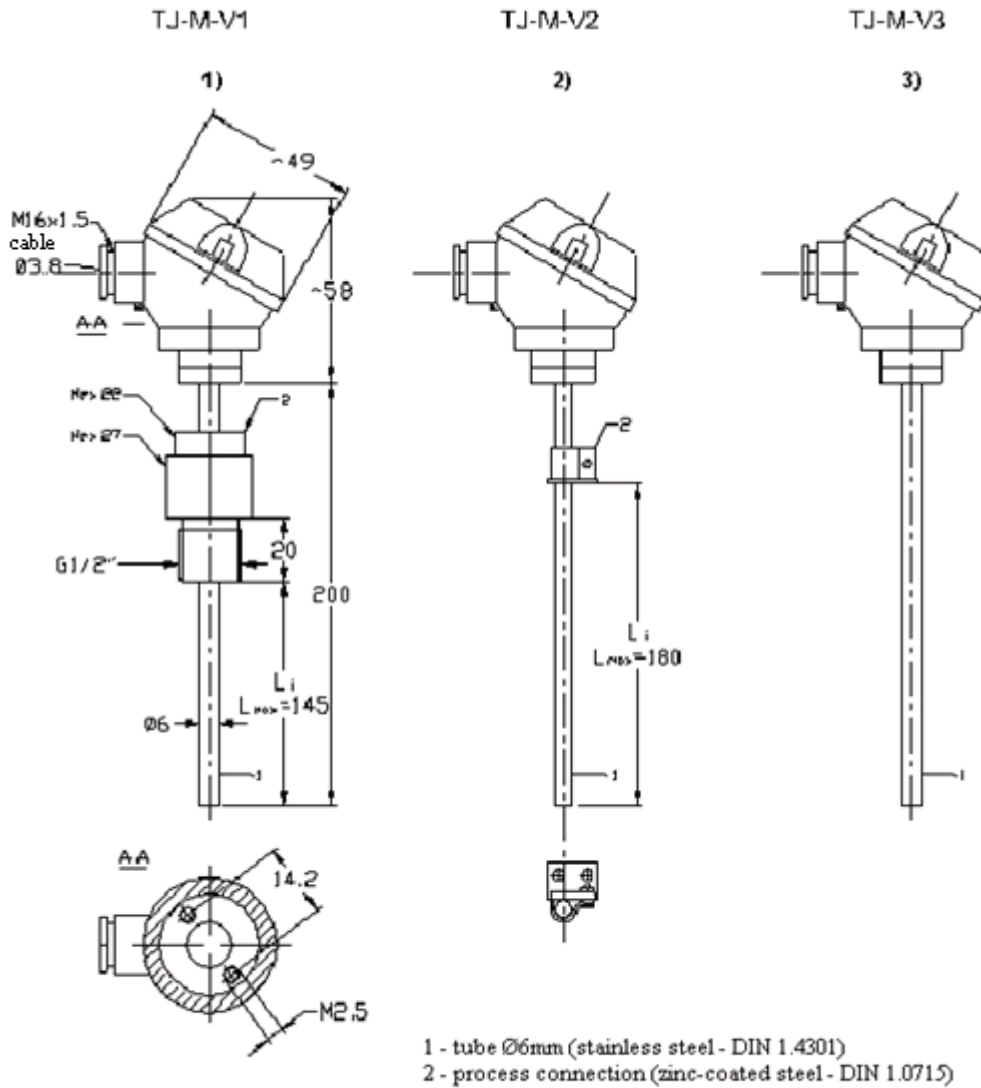


Temperature sensor TJ-M-V

economy line, with adjustable immersion length in to the process

Moveable process connection UG1-6 enable changeable length of immersion in the process up to $L_{max} = 145\text{mm}$. Adjustable process connection makes thermosensor more universal.

- Thermosensors TJ-M-V operating range: $-50^{\circ}\dots+180^{\circ}\text{C}$. In order: $-50^{\circ}\dots+250^{\circ}\text{C}$.
- There are 3 contact ceramic connection group for cable connection in thermosensor head



Versions:

- 1) with moveable process connection UG1-6 (sriegis G1/2), pressure up to 1 bar, temperature up to $+300^{\circ}\text{C}$;
- 2) with flexible process connection;
- 3) without process connection.

Attractive price.



AUREGIS UAB Savanoriu pr. 271/ Mituvos g. 2, Kaunas LT-50131

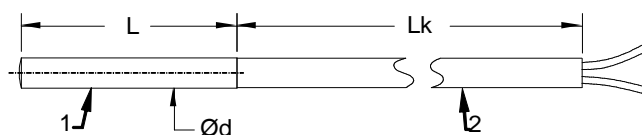
Tel./fax.: +370 37 313426 Mob. :(+370) 686 38409, 698 74609, 614 34419, 686 54049, 614 71784

E-mail: info@auregis.lt www.auregis.lt

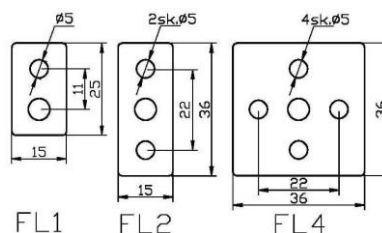
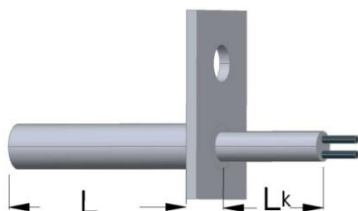
Temperature sensors with connection cable

TJ-1, TJ-1...FL with flange

TJ-1



TJ-1...FL



Ød, MM		L, MM		Lk		Cable
4	S	25	S	900	S	2-wire
5	*	40	*		*	2,3-wire
6	*	40	*		*	2,3-wire
4,5,6	On request					

Operating temperature:

Thermoresistive (**Pt100**, Pt1000):

-30÷70°C PVC[#]

-50÷180°C SIL[#]

Thermocouples (**K, J**):

-50÷250°C teflon[#]

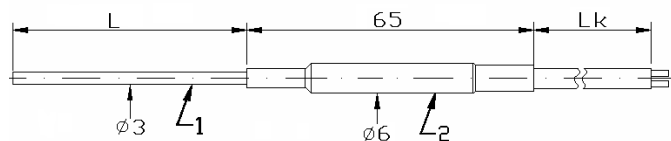
-50÷400°C fibreglass[#]

1 – tube (stainless steel) - Ø4/5/6

2 - cable

TJ-2

with mineral isolation



L, MM		Lk		Cable
270	S	1000	S	2,3-wire
	*		*	2,3- wire

Operating temperature:

thermoresistive (**Pt100**, Pt1000):

-30÷600°C; cable -30÷70°C PVC[#]

-50÷600°C; cable -50÷180°C SIL[#]

thermocouples (**K, J**):

-50÷800°C; cable -50÷250°C teflon[#]

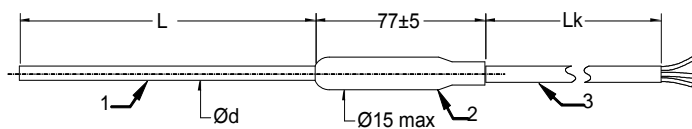
-50÷800°C; cable -50÷400°C fibreglass[#]

1- tube (stainless steel)

2- connection (stainless steel)

3- cable

TJ-3



Ød, mm		L, mm		Lk, mm		Cable
3	*	50	*		*	2,3- wire
4	*	100	*		*	2,3- wire
6	S	150	S	1500	S	2,3- wire

Operating temperature:

thermoresistive (**Pt100**, Pt1000):

-30÷250°C; cable -30÷70°C PVC[#]

-50÷250°C; cable -50÷180°C SIL[#]

thermocouples (**K, J**):

-50÷400°C; cable -50÷250°C teflon[#]

-50÷400°C; cable -50÷400°C fibreglass[#]

1- tube (stainless steel) - Ø3/4/6

2- housing (stainless steel + PVC)

3- cable

S- standard

*- on request

[#] - isolation

SIL – silicone (temperature: -50...+180°C)

PVC – temperature: -30...+70°C

Sensors – K, J, Pt100 (on request- Pt1000)

Other versions: Ni100, Ni120, Ni1000, PTC, NTC,

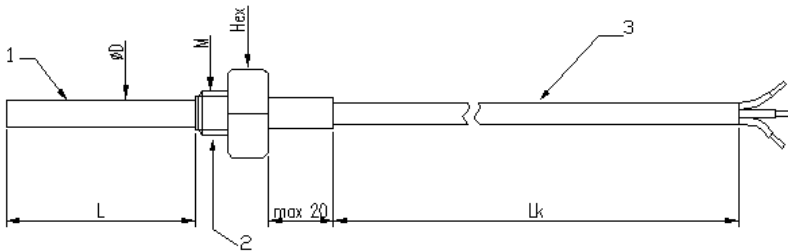


AUREGIS UAB Savanoriu pr. 271/ Mituvos g. 2, Kaunas LT-50131

Tel./fax.: +370 37 313426 Mob. :(+370) 686 38409, 698 74609, 614 34419, 686 54049, 614 71784

E-mail: info@auregis.lt www.auregis.lt

TJ-4



Operating temperature:

thermoresistive (**Pt100**, Pt1000):

-30÷250°C; cable -30÷70°C PVC[#]

-50÷250°C; cable -50÷180°C S[#]

thermocouples (**K, J**):

-50÷400°C; cable -50÷250°C teflon[#]

-50÷400°C; cable -50÷400°C fibreglass[#]

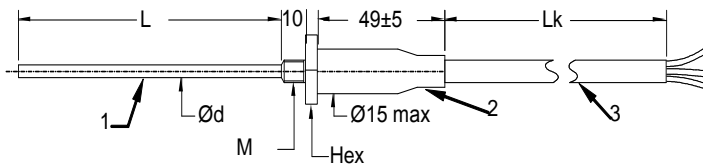
Ød, MM		L, MM		Thread	Lk, MM		Cable
4	*	12, 20	*	M6 , M10x1, G¼, M20x1.5, G½		*	2,3- wire
6	S	12, 20, 50	S	G¼ , M20x1.5	900	S	2,3- wire
8	*	12, 20, 50	*	G¼, M20x1.5, G½		*	2,3- wire
10	*	12, 20, 50	*	M20x1.5, G½		*	2,3- wire

1- measuring part (stainless steel)

2- process connection (stainless steel)

3- cable

TJ5



Operating temperature:

thermoresistive (**Pt100**, Pt1000):

-30÷250°C; cable -30÷70°C PVC[#]

Ø3, Ø4, Ø6 -50÷250°C; cable -50÷180°C SIL[#]

thermocouples (**K, J**):

-50÷400°C; cable -50÷250°C teflon[#]

Ø6 -50÷400°C; cable -50÷400°C fibreglass[#]

Ød, mm		L, mm		Lk, mm		Thread	Cable
3	*	50	*		*	M8	2,3- wire
4	S	100	S	1500	S	M8	2,3- wire
6	*	150	*		*	G1/2 ,M12	2,3- wire

1-tube (stainless steel) - Ø3/4/6

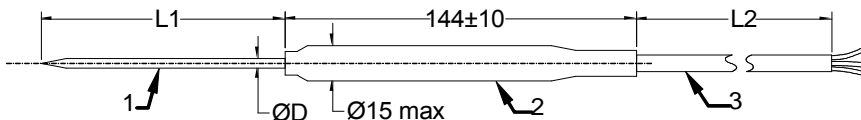
2- housing (stainless steel + PVC)

3- cable

TJ-S

Operating temperature:

-50÷180°C



ØD, mm		L1, mm		L2, mm	
3	*	50	*		*
4	S	100	S	3000	S
6	*	150	*		*

1- tube (stainless steel - DIN 1.4541 (AISI 321));

2- housing (stainless steel (DIN1.4301)+PVC[#]);

3- cable 3-wire, silicone (rubber or PVC[#]) isolation;

S- standard * - on request

- isolation SIL – silicone (temperature: -50...+180°C)

PVC – temperature: -30...+70°C

Sensors – K, J, Pt100 (on request- Pt1000)

Other versions: Ni100, Ni120, Ni1000, PTC, NTC,

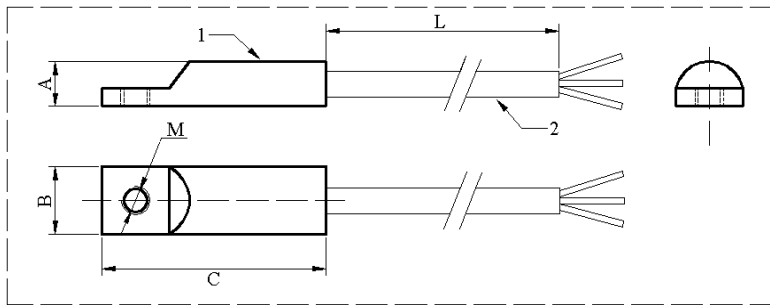


AUREGIS UAB Savanoriu pr. 271/ Mityvos g. 2, Kaunas LT-50131

Tel./fax.: +370 37 313426 Mob. :(+370) 686 38409, 698 74609, 614 34419, 686 54049, 614 71784

E-mail: info@auregis.lt www.auregis.lt

TJ-PL1 and TJ-PL2



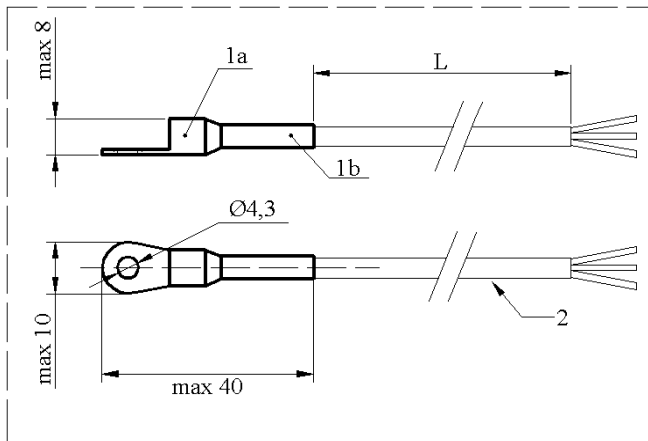
Sensor: **Pt100**, Pt1000
Operating temperature:

PL1: -80...+200°C with FEP[#] cable (3x0,5 mm²).
PL2: -50...+180°C with SIL[#] cable (3x0,75 mm²);
-50...+80°C with rubber cable (3x0,75mm²).

	A	B	C	M	Cable's isolation			Cable's length, L
PL1	5	8	35	4	FEP	-	-	1,5m or on request
PL2	8	12	40	5	-	SIL	Rubber	

1- housing (nickel-plated brass;
stainless steel .- (AISI 304));
2- cable.

TJ-PL11



Sensor: **Pt100**, Pt1000
Operating temperature:

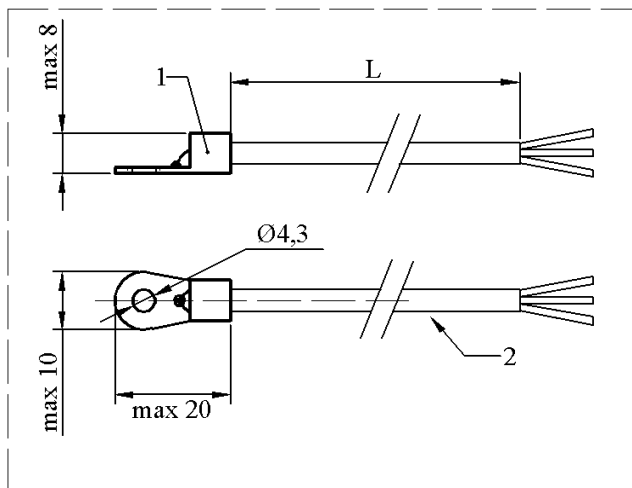
-80...+200°C with FEP[#] cable (3x0,5 mm²).
-50...+180°C with SIL[#] cable (2x0,5 mm²);

1-housing:

- a) copper (Cu)
- b) stainless steel – (AISI 304)

2-cable: length 1,5m or on request.

TJ-PL12



Sensor: thermocouple - **K, J**
Operating temperature:

-50...+250°C with FEP[#] cable (2x0,2 mm).
-50...+400°C with fibreglass + cable shield (2x0,22 mm²);

1-housing: material - copper (Cu);
2-cable: length 1,5m or on request.

-isolation; FEP –teflon; SIL – silicone.

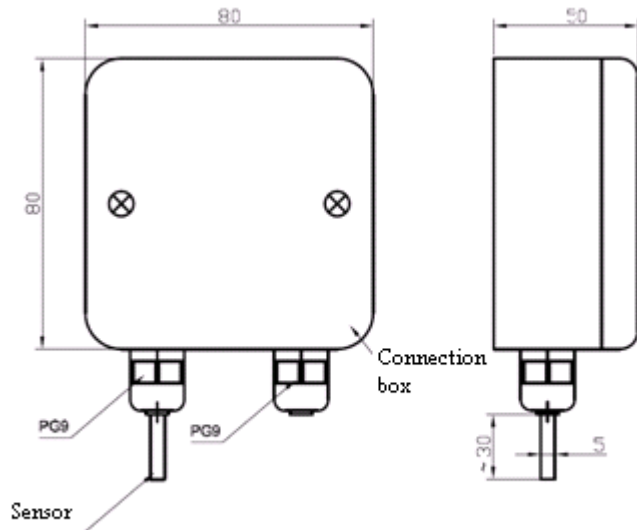


AUREGIS UAB Savanoriu pr. 271/ Mituvos g. 2, Kaunas LT-50131

Tel./fax.: +370 37 313426 **Mob. :** (+370) 686 38409, 698 74609, 614 34419, 686 54049, 614 71784

E-mail: info@auregis.lt www.auregis.lt

Ambient temperature sensor TJ-O



Sensor: **Pt100**, Pt1000

Operating temperature: -40...+70°C

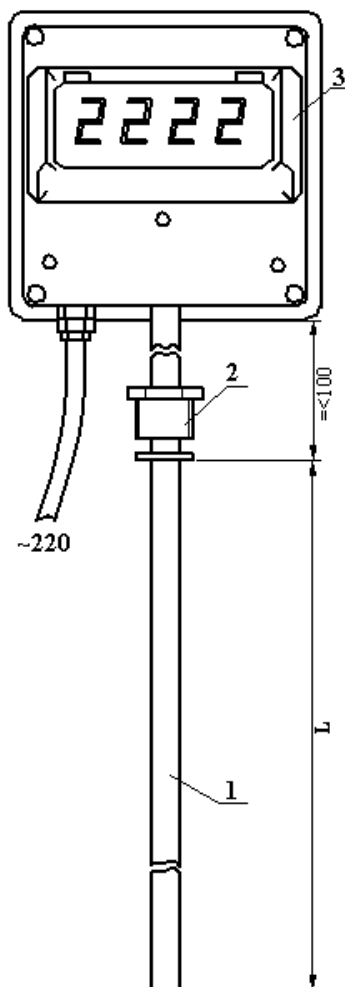
Sensor:
material – stainless steel (AISI 304).

Sensor connection:
2-, 3-wire;

TJ-O could be with built-in transmitter (output
4..20mA or 0...10V).

Sensor could be complement with: TJ1, TJ2, TJ3,
TJ4, TJ5, TJS, TJB.

Temperature indicator TI-N24



Sensor: **Pt100**, Pt1000; thermocouple **K**, **J**

Sensor measuring range: -30...250...500...800°C

Measuring part (1):

material: stainless steel AISI 304;

diameter: \varnothing 10mm;

length L (on request): 100, 200, 500, 700, 1000mm.

Indicator (3):

type: N24;

4 or 5 digits;

ambient temperature: -10...55°C;

supply:

- 230V a.c. or
- 110V a.c. or
- 24V a.c. or
- 85...253 V a.c./d.c. with supply for transducer 24V d.c. or
- 20...40 V a.c./d.c. with supply for transducer 24V d.c.

Indicator could be complement with transmitter.

Process connection (2):

- **G1/2** or
- M20x1,5 or
- hygienic or
- on request.

Indicator instead of tube, could be complement with these thermosensors: TJ1, TJ2,
TJ3, TJ4, TJ5, TJS, TJB.



AUREGIS UAB Savanoriu pr. 271/ Mituvos g. 2, Kaunas LT-50131

Tel./fax.: +370 37 313426 Mob. :(+370) 686 38409, 698 74609, 614 34419, 686 54049, 614 71784

E-mail: info@aregis.lt www.auregis.lt

Thermocouple TJ-K

- *small measurement point (tip)*
- *low inertia*

Technical data

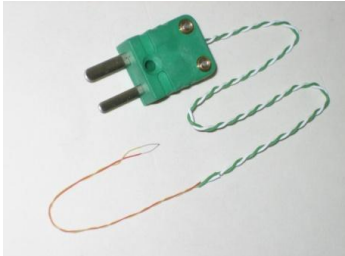
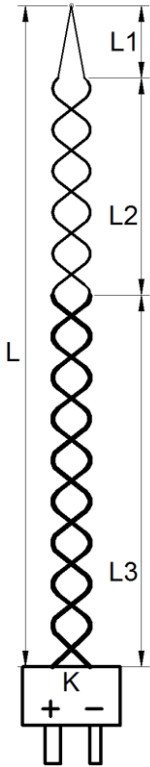
Measuring range: -75...250°C

Sensor's type: K (NiCr-NiAl)
accuracy kl.2 (according to IEC 584)

Electrical connection: mini plug

Cable:

- L1:** 2 wire without isolation;
diameter - 0,08 mm (80 microns);
-
- L2:** 2 pair wire;
diameter without isolation - 0,08 mm (80 microns);
diameter with isolation - 0,2 mm (200 microns);
isolation – teflon.
-
- L3:** 2 pair wire;
diameter without isolation - 0,2 mm (200 microns);
diameter with isolation - 0,8 mm (800 microns);
isolation – teflon.



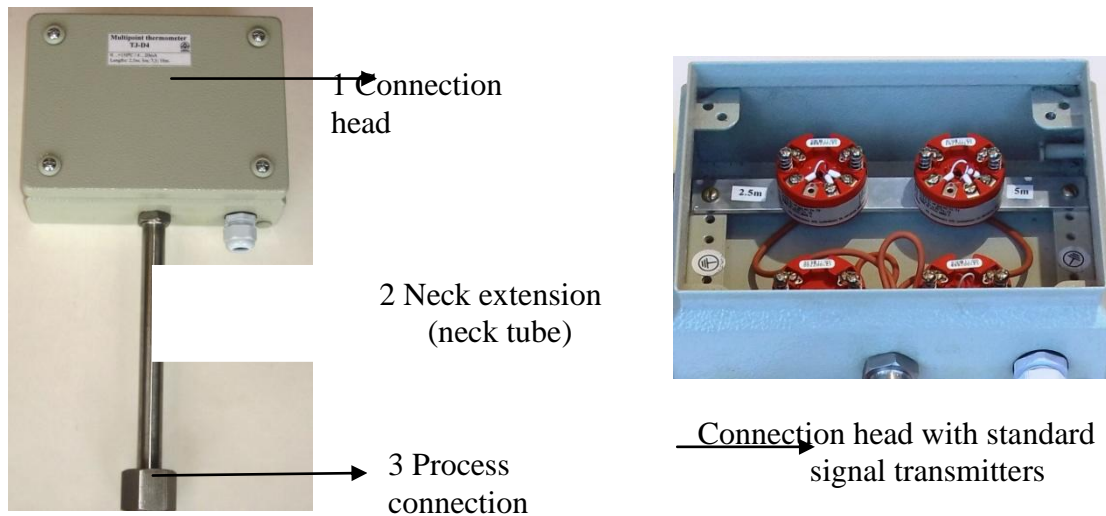
	TJ	-	/	-	/	x	-
Type							
Sensor's type: K							
Accuracy's class: 2							
Wire diameter of L1 cable: 0.08 mm							
Wire diameter of L3 cable (without isolation) : 0.2 mm							
Cable's length, L m							
Cable's isolation: TEF							

Ordering example: **TJ-K/2- Ø0.08/0.2x1.0-TEF**. Type K thermocouple, class 2, wire diameter of L1 cable - 0.08 mm , wire diameter of L3 cable – 0.2 mm, cable's length L – 1.0 m, isolation – teflon

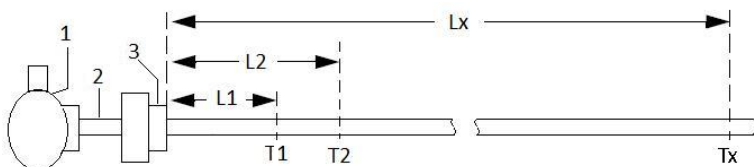


Multipoint temperature sensor TJ-D

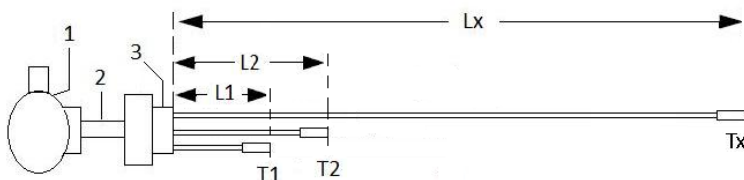
Multipoint temperature sensor TJ-D is made-up for measuring temperature in different process depths. Thermosensors can be produced in one tube or with independent cables. In this case measuring point can be lay out in different vertical or horizontal places .



Thermosensors in one tube



Thermosensors with independent cables



L1, L2, ..., Lx - lengths to the measuring points

T1, T2, ..., Tx - temperatures of measuring points

Protection class of connection head - IP 66.

Process connection and neck extension - stainless steel.

Multipoint temperature sensor TJ-D versions according to the type and number of thermocouple:

- TJ-D2-Pt100, TK-D4-Pt100, ..., TJ-Dx-Pt100, -2, 4, ..., x thermosensors Pt100;
- TJ-D2-Pt1000, TK-D4-Pt1000, ..., TJ-Dx-Pt1000, -2, 4, ..., x thermosensors Pt1000;
- TJ-D2-NTC, TK-D4-NTC, ..., TJ-Dx-NTC, -2, 4, ..., x thermosensors NTC;
- TJ-D2-K, TK-D4-K, ..., TJ-Dx-K, -2, 4, ..., x thermocouples K type ;
- TJ-D2-J, TK-D4-J, ..., TJ-Dx-J, -2, 4, ..., x thermocouples K type.

Other versions on request. Thermosensors can be selected from: Pt100, Pt1000, Ni100, Ni1000, NTC, PTC and thermocouples. Sensors can be with mineral isolation or cables according to temperature range and measuring ambient. Standard signal transmitter 4-20mA, or 0-10V can be mounted in to connection head.



AUREGIS UAB Savanoriu pr. 271/ Mityvos g. 2, Kaunas LT-50131

Tel./fax.: +370 37 313426 **Mob. :** (+370) 686 38409, 698 74609, 614 34419, 686 54049, 614 71784

E-mail: info@auregis.lt www.auregis.lt

DIGITAL PORTABLE THERMOMETERS TR100, TK100 with Pt100 sensors or K type thermocouple

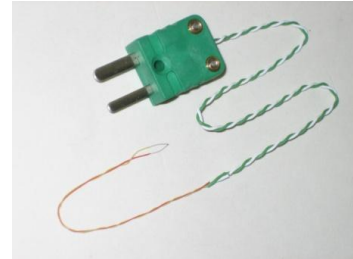
TR100
TJS-Pt100 (-40...+180°C)



Digital portable thermometer
TR100, TK100



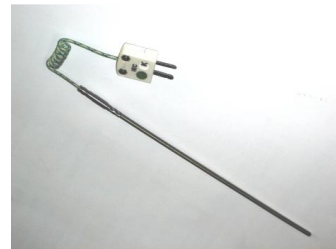
TK100
TJ1-K (-50...+250°C)



TR100
TJ1-Pt100 (0...+60°C)



TK100
TJ1-K-TTP (-50...+1000°C)



Digital thermometer TR100/TK100

Data fixing function;
Adjustable backlight;
Minimum and maximum values;
Auto shut-off 0...120min
Transport case;
Accuracy $\pm 0,4\%$, $\pm 0,3$ °C;
Resolution 0,1°C;
Supply 1 alkaline 9V 6LR61 battery.

With TR100 thermometer could be complement various sensors:

-temperature sensor with cable

TJ-S (-30..180°C):

- Sensor tube: stainless steel DIN 1.4541 (AISI 321)
- handle: stainless steel DIN 1.4301 + PVC
- cable: 3-wire, silicone (rubber or PVC) isolation

- thermosensor for air TJ1 (0...+60°C)

Other Pt100 (0...+400°C) thermosensors we produce according to customer requirements.

With TK100 thermometer could be complement various thermocouples:

- thermocouple with small measuring point

TJ-K (-75...+250°C)

- Electrical connection: mini plug

Cable:

- **L1:** 2-wire without isolation diameter - 0,08 mm (80 microns)
- **L2:** 2 pair wire diameter without isolation - 0,08 mm (80 microns), diameter with isolation - 0,2 mm (200 microns), isolation - teflon
- **L3:** 2 pair wire diameter without isolation - 0,2 mm (200 microns), diameter with isolation - 0,8 mm (800 microns), isolation - teflon.

- thermocouple TJ1-K-TTP(-50...+1000°C)

Other K type (-200...+1300°C) thermocouples we produce according to customer requirements



AUREGIS UAB Savanoriu pr. 271/ Mituvos g. 2, Kaunas LT-50131

Tel./fax.: +370 37 313426 Mob. :(+370) 686 38409, 698 74609, 614 34419, 686 54049, 614 71784

E-mail: info@auregis.lt www.auregis.lt

Digital thermometer SDT 8

- Pen type
- Rugged surface
- Indication – LCD
- Indication of low battery
- Humidity resistant
- Value fixing
- C° and F° value display
- Measuring probe – stainless steel

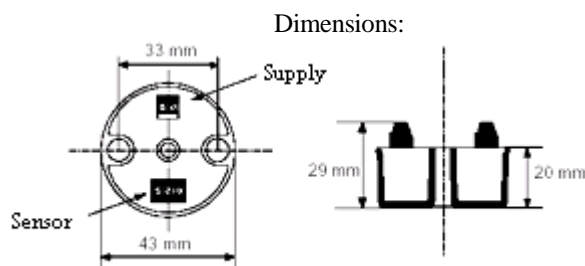


Range	-50° ÷ 150°C
Resolution	0,1°
Accuracy	± 1°C
Measuring period	1,5 s
Battery	1,5V BA2
Sensor	13 mm
Measuring probe	Ø4x68 mm

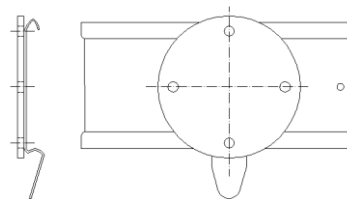
Temperature transmitter to 4...20 mA or 0...10 V

- input Pt100, Pt1000, Ni100, Ni1000, thermocouples
- temperature output 4..20mA or 0...10V

Temperature transmitter for mounting in the connection head, box or, with special holder, on DIN rail. Resistance thermosensors connected with 2 or 3 wire system. Output signal - 4...20 mA or 0...10 V

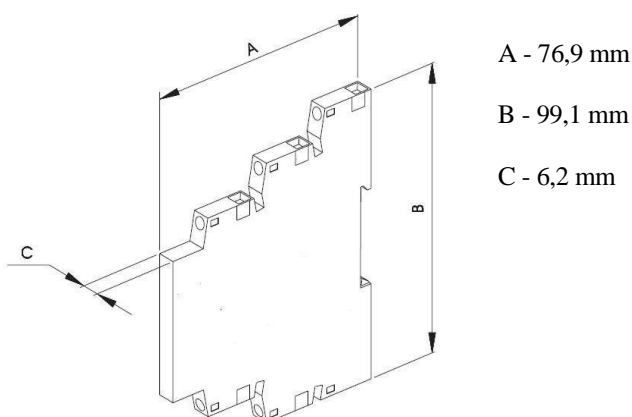


Special holder for mounting on DIN rail



Transducer mounting on DIN rail

Dimensions:



AUREGIS UAB Savanoriu pr. 271/ Mituvos g. 2, Kaunas LT-50131

Tel./fax.: +370 37 313426 **Mob. :** (+370) 686 38409, 698 74609, 614 34419, 686 54049, 614 71784

E-mail: info@auregis.lt www.auregis.lt