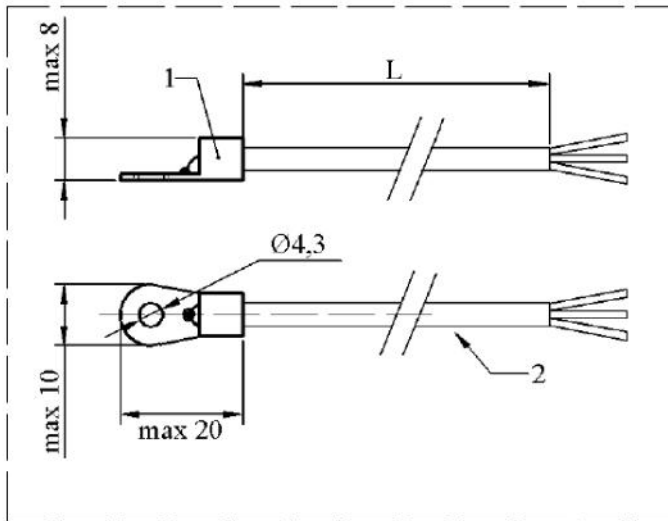


TJ-PL12



Sensor: thermocouple - K, J

Operating temperature:

-50...+250°C with FEP[#] cable (2x0,2 mm).

-50...+400°C with fibreglass + cable shield (2x0,22 mm²);

1-housing: material - copper (Cu);

2-cable: length 1,5m or on request.

-isolation; FEP –teflon; SIL – silicone.



AUREGIS UAB Savanoriu pr. 271/ Mityvos g. 2, Kaunas LT-50131

Tel./fax.: +370 37 313426 **Mob. :** (+370) 686 38409, 698 74609, 614 34419, 686 54049, 614 71784

E-mail: info@aregis.lt www.aregis.lt