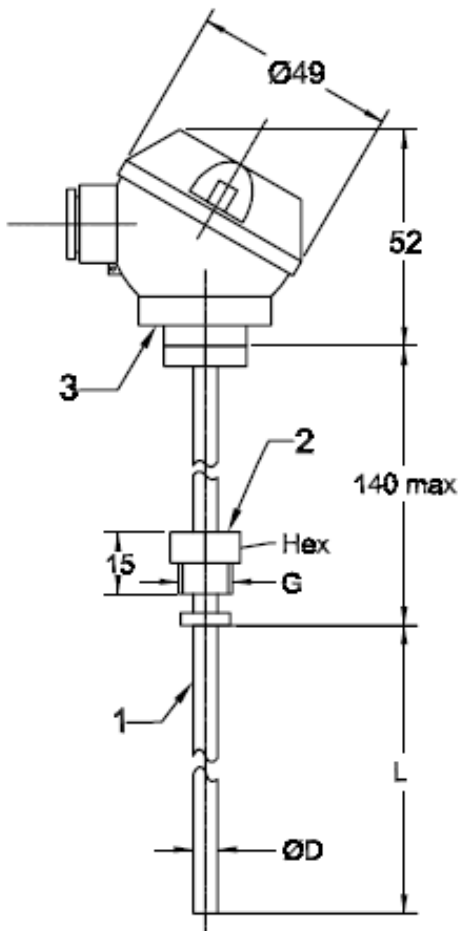


# Resistance temperature sensor TJM

Edl.: 1/6.05

## Technical data



<b>Measuring range:</b>	-30...250; 550°C
<b>Element:</b>	Pt100, Pt1000 (DIN IEC 751)
<b>accuracy</b>	class A or B according to IEC 751
<b>max. current</b>	1 mA

<b>Protection tube(1):</b>	
<b>material</b>	stainless steel AISI304 (1.4301)
<b>diameter D</b>	Ø 6; 8 or 10 mm
<b>length L</b>	150; 200; 245; 500; 700; 1000 mm or on request

<b>Electrical connection:</b>	2-wire, 3- wire, 4-wire
-------------------------------	-------------------------

<b>Connection head (3):</b>	
<b>type</b>	M
<b>closure</b>	with screws
<b>max. temperature:</b>	
<b>connection head:</b>	100°C

<b>Process connection (2):</b>	non; G $\frac{1}{4}$ "; G $\frac{1}{2}$ "; M20x1,5
--------------------------------	--

Type	TJM	-	/	-	X	-	-	-
Type of element: Pt100, Pt1000								
Accuracy: A or B								
Protection tube's diameter D, mm: Ø6, Ø8, Ø10								
Protection tube's length, L mm: 150, 200, 245, 500, 700, 1000								
Process connection: non, G $\frac{1}{4}$ ", G $\frac{1}{2}$ ", M20x1,5 or on request								
Electrical connection: 2-wire / 3-wire / 4-wire								

Ordering example: TJM-Pt100/B-6x200-0-3. Temperature sensor with Pt100, class B. Protection tube's diameter: 60 mm, length: 200 mm. Process connection: non. Electrical connection: 3-wire.



**AUREGIS UAB**  
 Savanorių pr. 271/ Mituvos g. 2, Kaunas LT-50131  
**Tel./fax.:** +370 37 313426  
**Mob. :** (+370) 686 38409, 614 34419, 686 54049,  
 698 74609, 614 71784  
**El. paštas:** info@auregis.lt      www.auregis.lt