



GENERAL FEATURES

- Has a good shaft sleeve seal design, which eliminates the phenomenon of fine powder jamming, making the measurement more reliable
- Rugged enclosure for any environment in the wild
- Imported instrument motor, long life and reliable action
- A variety of customized products are available, and the selection is no longer difficult
- Four torque adjustment gears, suitable for most specific gravity materials

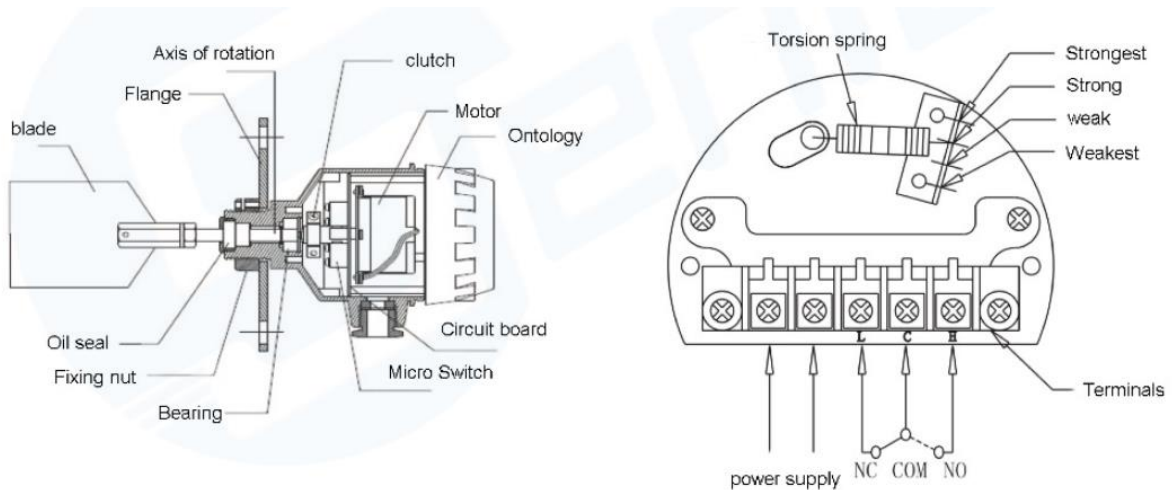
WORKING PRINCIPLE

The resistance-type material level switch is equipped with a meter motor in a junction box, which uses a clutch device to connect a transmission shaft with a blade at the other end. When the material is not in contact with the material, the blade and the motor keep rotating coaxially along the transmission shaft. When the blade is in contact with the material and the shaft is blocked, the motor stops rotating and an alarm signal is issued.

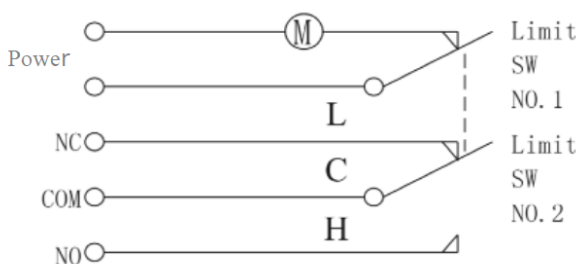
APPLICATION

Due to its solid structure, it is very suitable for the measurement of powdery and granular materials such as cement, gravel, grain, feed, and pharmaceuticals.

OUTLINE STRUCTURE

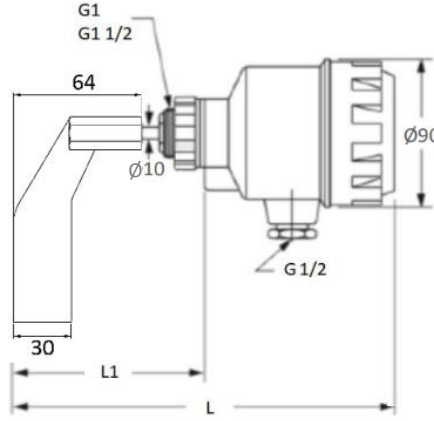
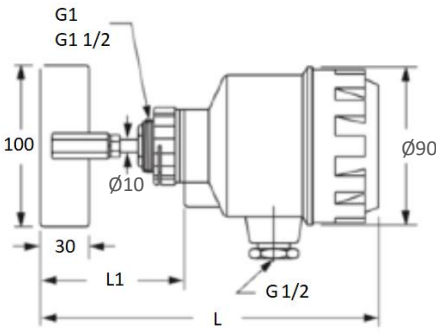


CONTROL CIRCUIT SCHEMATIC



1. When the motor is running, there is no resistance on the blade. COM-NC is connected. When the motor stops and the blade is on resistance, COM-NC is disconnected, and COM-NO is connected.
2. When the resistance on the blade disappears, it returns to the connection between COM and NC, and the motor restarts. Running.
3. Torque adjustment is used to adjust the torque output from the rotating shaft. When the specific gravity of the measured object is large, the torque can be adjusted to the strongest position. At this moment, the rotating shaft blade has a large torque and relatively low sensitivity. Otherwise the sensitivity is stronger. Torque adjustment is generally not recommended for customers.

SPECIFICATIONS AND DRAWING



- Power supply : 220VAC, 24VDC, 50/60Hz
- Power consumption: 3W
- Current consumption: 60mA @24VDC
- Output contact: SPDT / 3A / 250VAC
- Speed: 1 RPM
- Torque: 0.5~1.0KG-cm
- Process connection: G1 or G1 1/2
- Operating temperature: -10~90°C
- Junction box: Aluminum/IP65
- Inlet: G1/2
- Applicable specific gravity: 0.5

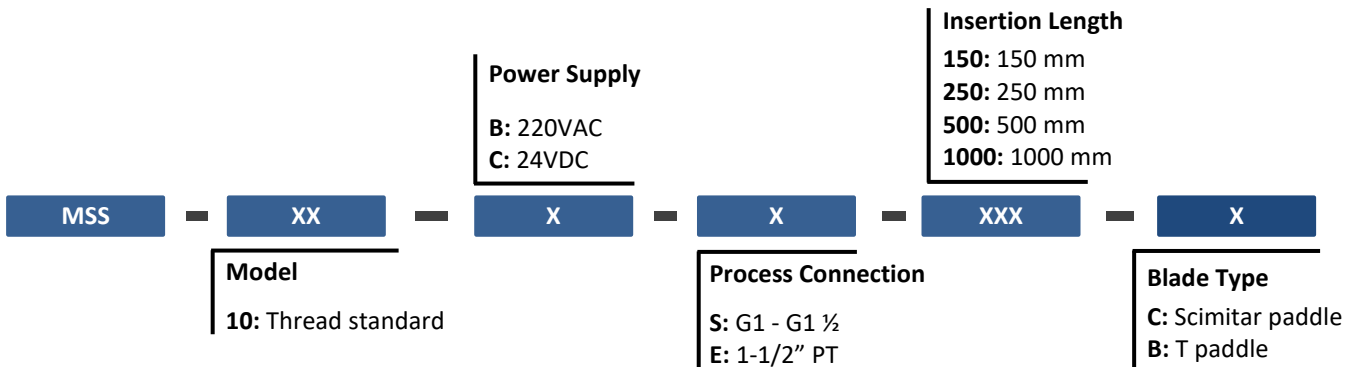
B Type Blade		
Eklenli Uzunluđu	L1	L
150 mm	136 mm	253 mm
250 mm	256 mm	375 mm
500 mm	490 mm	607 mm
1000 mm	1013 mm	1132 mm

C Type Blade		
Eklenli Uzunluđu	L1	L
150 mm	150 mm	265 mm
250 mm	270 mm	385 mm
500 mm	500 mm	620 mm
1000 mm	1023 mm	1143 mm

PRECAUTIONS

- Make sure blade size can pass through flange hole or tooth
- Hole Size
- Note that the specific gravity of the material must be greater than the applicable specific gravity of the product. Min. P = 0.5
- The attachment location must not have a strong vibration source
- Low-level installation on the side, a protective baffle is installed on the upper side of the sensor about 300mm to prevent the impact of feeding
- Not specified by the customer. All flanges have a standard thickness of 4mm.

ORDER CODE



Blade Types:

